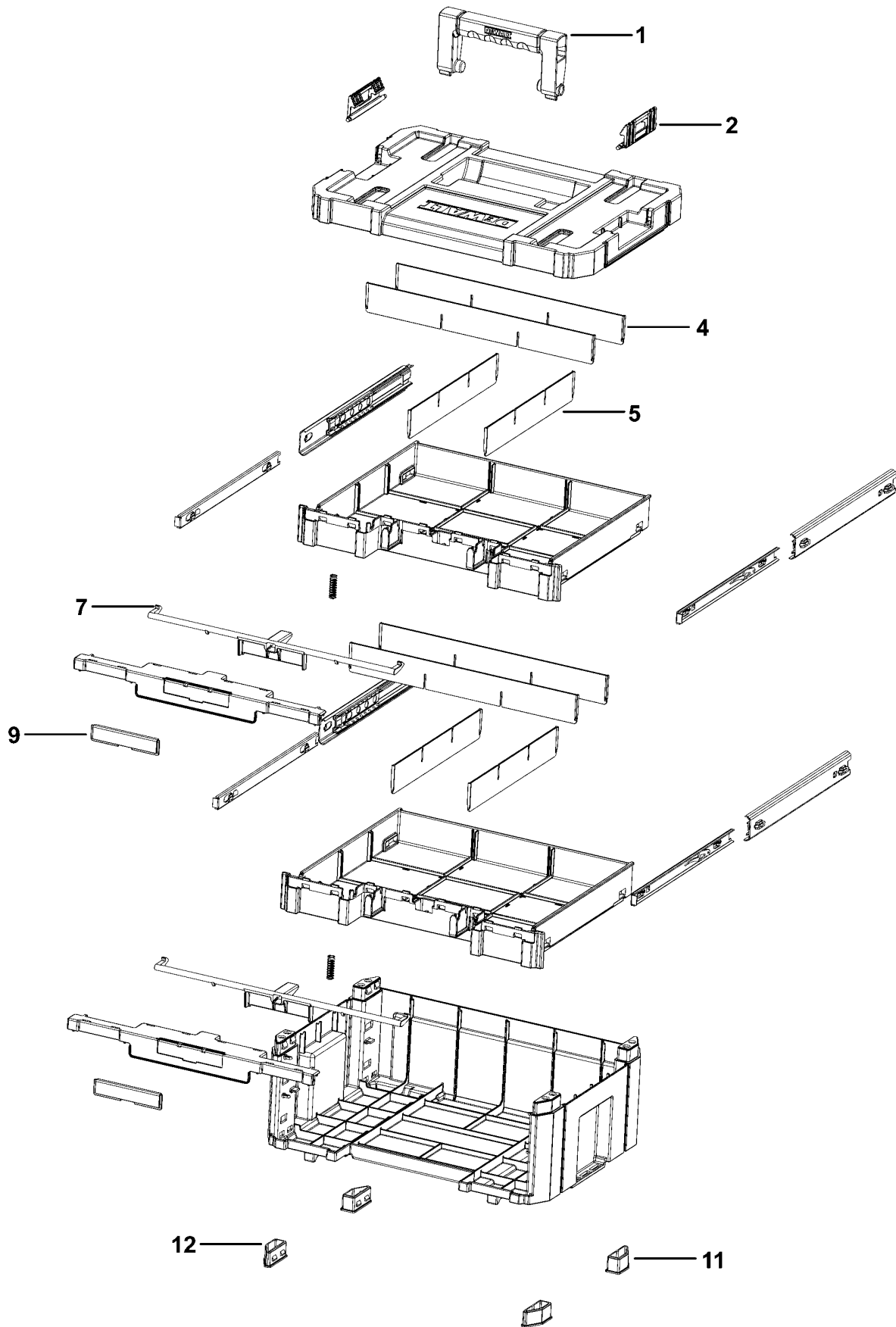


DWST1-70706 WORKBOX 1



Parts List DWST1-70706 WORKBOX 1

Item	Part Number	Qty	Part Description	General Description	Other Info	Repair Inst	Markets
1	H1400196008	1	HANDLE			No	XJ
2	N409477	1	LATCH			No	XJ
4	H2700074	4	PLASTIC INSERT			No	XJ
5	H2700073	4	PLASTIC INSERT			No	XJ
7	H1400203	2	LATCH			No	XJ
9	H2500531001	2	COVER			No	XJ
11	H2500528	2	LEG RIGHT HAND			No	XJ
12	H2500529	2	LEG LEFT HAND			No	XJ